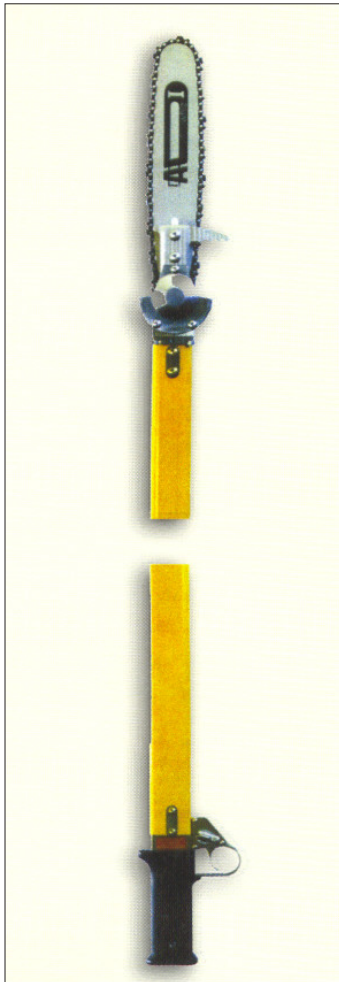


# UNITEC Hydraulic Chain Saws

Models ACH000-12, ACH000-14, ACH000-16, ACS-70 and ACS-80

*A Full Line of Hydraulic Pruning Tools*

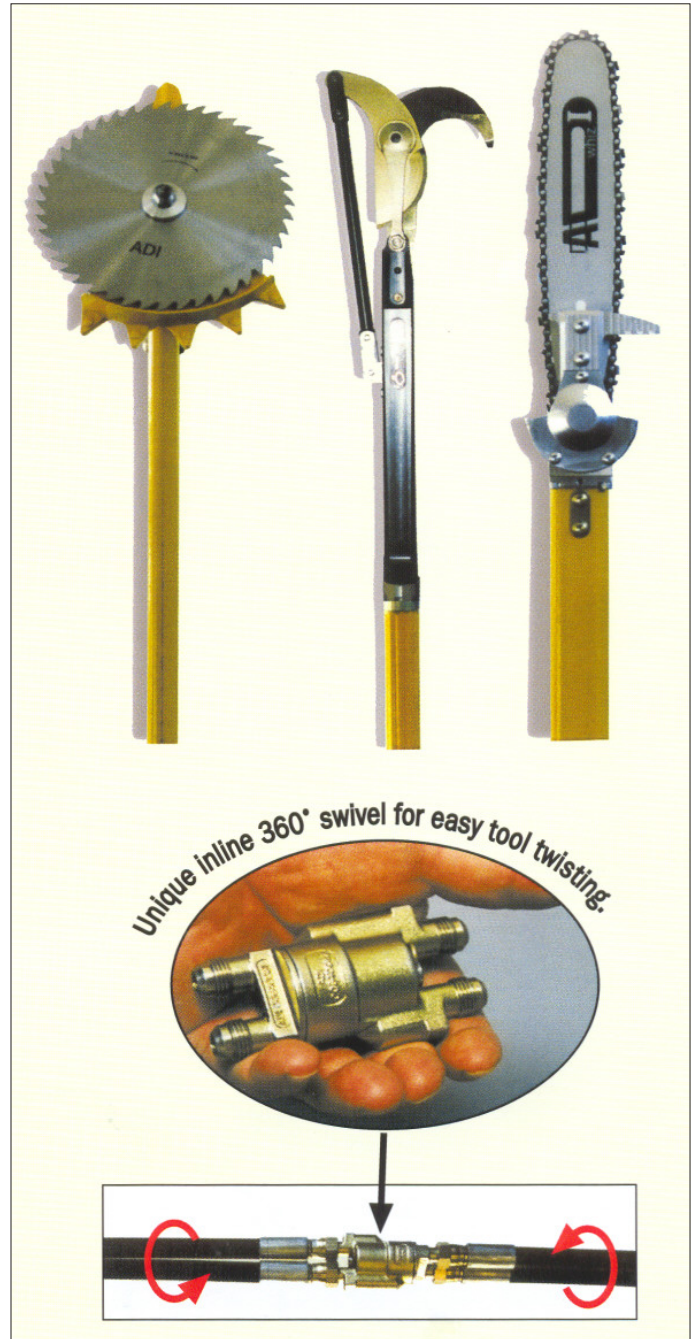


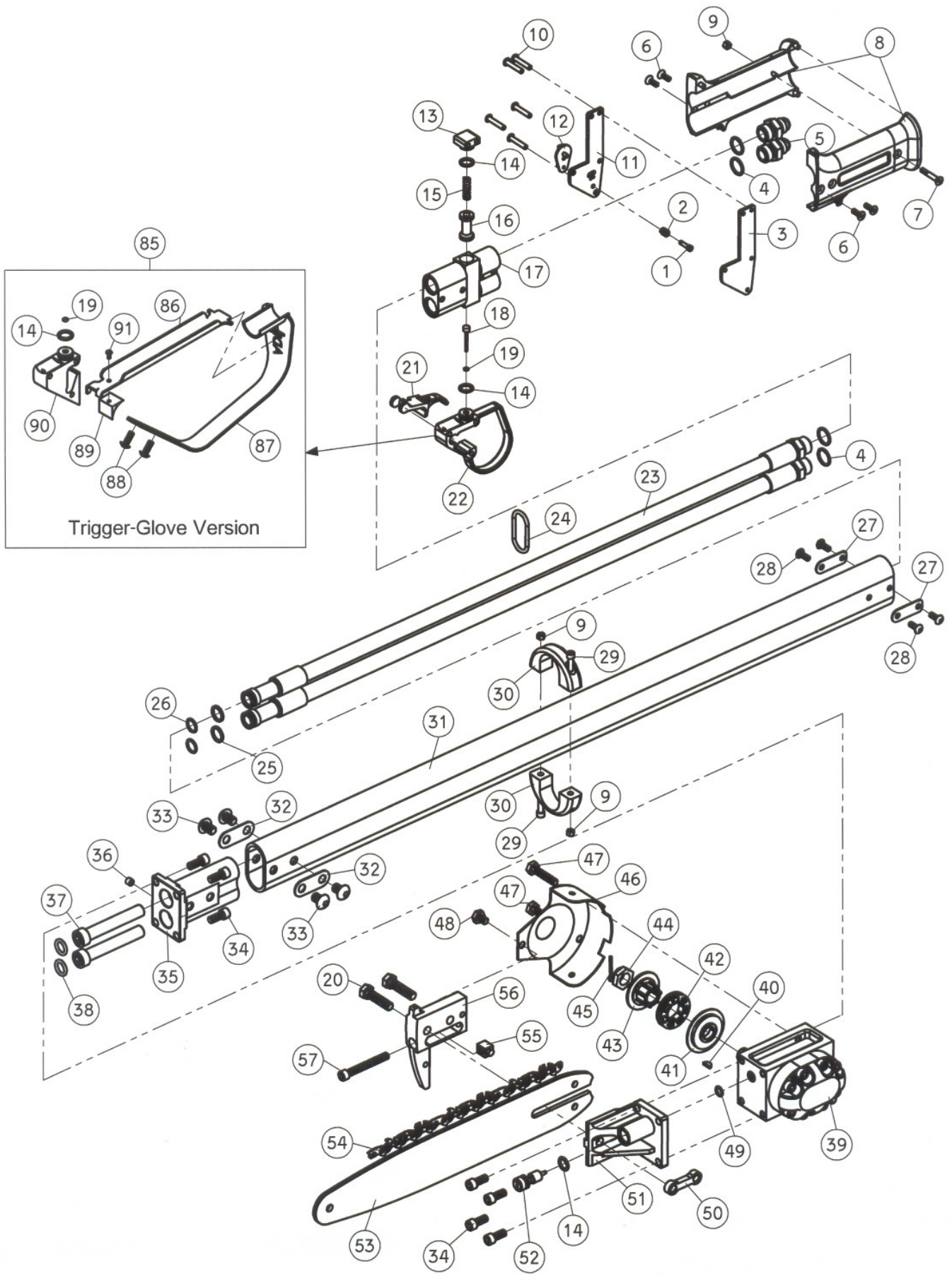
## Specifications

Max. pressure ..... 2000 PSI (130 bar)  
Flow range ..... 4-8 GPM (15-30 LPM)  
Hose size ..... 3/8" - I.D. minimum  
Inlet port..... 3/8" JIC - #6  
Outlet port..... 3/8" JIC - #6  
Foreign particles..... 10 micron max.

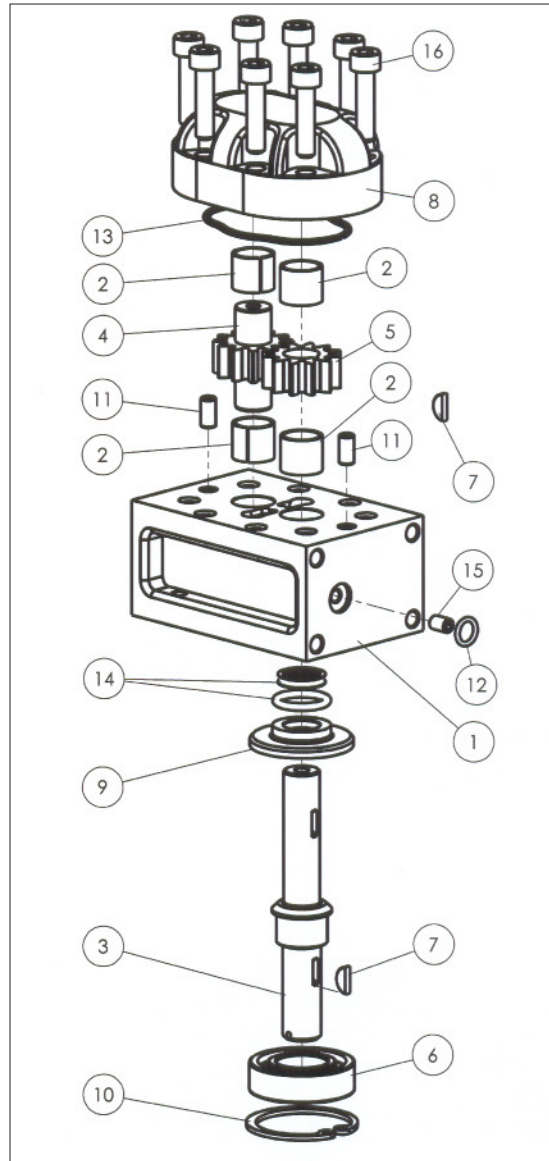
### **SAFETY!**

WE URGE YOU TO READ AND UNDERSTAND ALL THE SAFETY INSTRUCTIONS IN THE OPERATION AND SERVICE MANUAL BEFORE SERVICING THIS TOOL





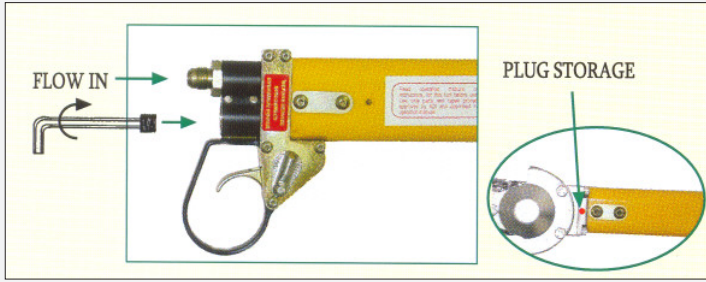
# MOTOR ASSEMBLY



Item No.	QTY	Description	Part No.
1	1	Housing	00650075
2	4	Bushing	00650282
3	1	Shaft	00650296
4	1	Gear	00650278
5	1	Gear	00650279
6	1	Bearing	00650097
7	2	Key	00650249
8	1	Cover	00650277
9	1	Retainer	00650098
10	1	Snap Ring	00650095
11	2	Pin	00650276
12	1	O Ring	00650058
13	1	O Ring	00650100
14	1	Seal	00650099
15	1	Bolt	00650064
16	8	Bolt	00650241

No.	Part No.	Description
1	00640006	Screw – (1/8" x 1/2" NC)
2	00640036	Spring
3	00640121	Trigger Guard Plate (Left)
4	00640062	O-Ring (3-907)
5	00640037	Connector
6	00640007	Screw – (3/16 x 1/2" NC)
7	00640009	Screw – (3/16 x 1" NC)
8	00640090	Ultramid Handle
9	00640008	Nut – (3/16" NC)
10	00640094	Screw – (M4 x 22)
11	00640122	Trigger Guard Plate (Right)
12	00640026	Lock
13	00640120	Spool Cap
14	00640069	O-Ring – (2 - 012)
15	00640035	Spring
16	00640050	Spool
17	00650010	Housing
18	00640049	Pin
19	00640068	O-Ring (2 x 1.5)
20	00650060	Screw – (5/16" x 1-1/4" NC)
21	00640096	Trigger (Finger Version)
22	00640230	Trigger Guard (Finger Version)
23A	00650032	Hose Model ACS-50
23B	00650033	Hose Model ACS-60
23C	00650034	Hose Model ACS-70
23D	00650035	Hose Model ACS-80
24	00650051	O-Ring – (2 - 219)
25	00650052	Back Up (8 - 014)
26	00650053	O-Ring (2 - 014)
27	00650040	Plate
28	00650054	Screw (3/16" x 1/2" NC)
29	00650071	Screw (3/16" x 5/8" NC)
30	00650065	Hand Stop Safety Collar
31A	00650036	Fiberglass Extension Tube ACS-50
31B	00650037	Fiberglass Extension Tube ACS-60
31C	00650038	Fiberglass Extension Tube ACS-70
31D	00650039	Fiberglass Extension Tube ACS-80
32	00650041	Plate
33	00650055	Screw – (5/16" x 1/2" NF)
34	00650056	Screw – (1/4" x 5/8" NC)
35	00650013	Front Hose Connector
36	00640040	Open/Closed Center Plug
37	00650023	Bolt
38	00650057	O-Ring – (2 - 111)
39	00650255	Saw Motor
40	00650249	Key
41	00650229	Sprocket Support
42	00650246	Sprocket
43	00650245	Sprocket Adaptor
44	00650061	Lock Nut – (1/2" NF)
45	00650050	Cotter Key
46	00650026	Sprocket Cover
47	00650063	Screw – (1/4" x 1-1/4" NC)
48	00650062	Screw – (1/4" x 3/8" NC)
49	00650058	O-Ring – (2 - 010)
50	00650024	Saw Bar Nut
51	00650012	Bar Mount
52	00650022	Metering Screw
53A	00650107	Saw Bar – 12"
53B	00650103	Saw Bar – 14"
54A	00650106	Saw Chain – 12"
54B	00650102	Saw Chain – 14"
55	00650025	Adjusting Nut
56	00650014	Bar Support
57	00650059	Tension Screw
85	00640200	Trigger Assy. (Glove Version)
86	00640203	Trigger (Glove Version)
87	00640206	Guard (Glove Version)
88	00640204	Screw – (3/16" x 5/16" NC)
89	00640201	Stopper (Glove Version)
90	00640231	Housing (Glove Version)
91	00640002	Screw – (1/8" x 1/4" NC)
92	00640068	O-Ring – (2 x 1.5)
93	00640069	O-Ring – (2 - 012)
*	00650199	Seal Kit
*	00640232	Stickers kit
*	00650000	Operation and Service Manual

## OPEN/CLOSED CENTER CIRCUIT



The ACS model can be operated on an open or closed center hydraulic circuit.

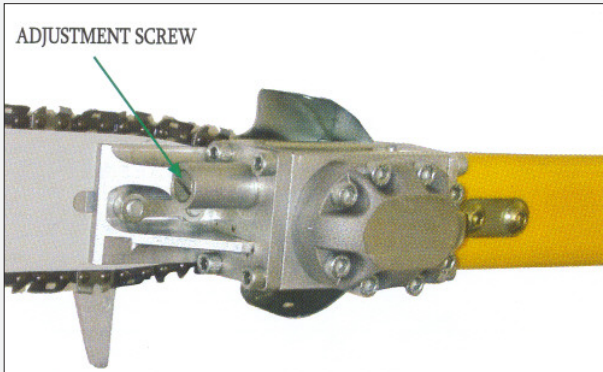
To convert from open  $\longleftrightarrow$  closed center circuit:

- Remove ultramid handle (8).
- Remove return hose.
- Remove return hose connector (5).
- Install or remove open to closed center plug (36).

PLUG OUT – open center circuit  
PLUG IN – closed center circuit

*Note: For your convenience you can store the plug on the tool when not in use.*

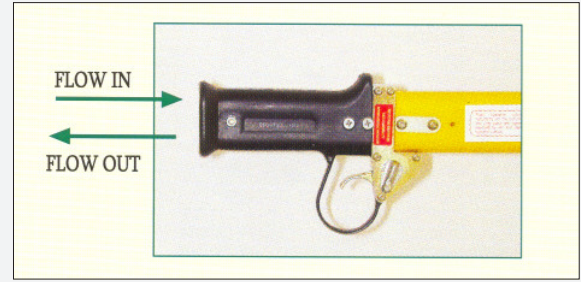
## CHAIN OILER ADJUSTMENT



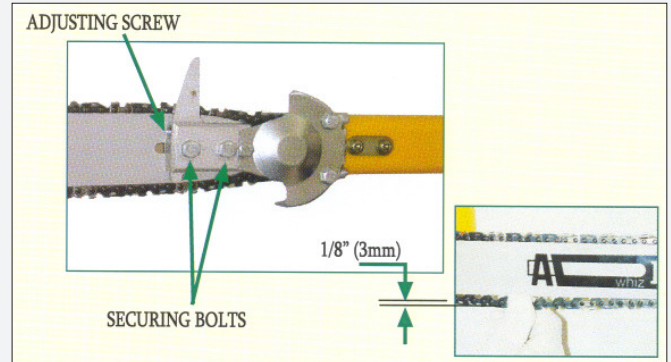
- Let the chain turn until all of the accumulated oil is thrown off.
- Point the “nose” of the guide bar toward a clean, dry smooth surface.
- Turn the chain while keeping the “nose” of the guide bar approximately 2” from the surface.
- Check the oil discharge from the guide bar “nose”. There should be a light oil accumulation on the surface.
- If no oil appears, screw out the adjustment screw (52) 1/8 – 1/4 turn and then recheck.
- If too much oil is discharged, screw in the adjustment screw 1/8 – 1/4 turn and recheck

*Note: A dry chain will heat up and cause excessive wear on the bar and chain*

## DIRECTION OF FLOW



## CHAIN TENSION ADJUSTMENT



- Disconnect tool from power source.
- Make sure to wear protective gloves.
- Saw chain and bar should be cool when checking or adjusting chain tension.
- Loosen the two guide bar securing bolts (20).
- Turn adjusting screw (57) until chain tension is properly adjusted. (1/8” chain clearance at the bar center).
- Tighten the guide bar securing bolts (20).
- Freely run the saw for a few minutes.
- Re-check chain tension (disconnect tool power source!)

## SAFETY DECALS



# CS UNITEC

22 Harbor Ave., Norwalk, CT 06850

Toll-free: 800-700-5919 • Phone: 203-853-9522

Email: info@csunitec.com

[www.csunitec.com](http://www.csunitec.com)